

Smart Pan & Tilt Camera

Uho-S1



Key Features

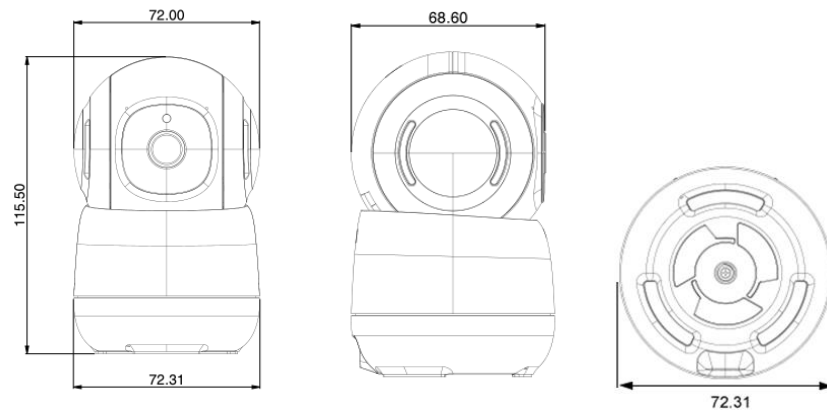
- Easy to install and use.
- Clear and smooth video browsing; intelligent transmission giving full play to capabilities of the network.
- Online firmware upgrade, and synchronous updating of the functions and experience.
- Two-way audio supported.
- Remote real-time monitoring supported with Android and iOS smart phones.
- IR light for night vision; 24h round-the-clock monitoring.
- Intelligent push to filter out useless information.
- QR code intelligent connection.
- Supporting human detection, pet snapshot and activity zone.*

Specifications

Model	Uho-S1
Camera	
Sensor	1/3" color CMOS sensor, 2.0 megapixel.
Lens	3.6mm@F2.0

Angle of View	H (horizontal) 85°; V (vertical) 48°; D (diagonal) 100°.
Minimum Illumination	0.01Lux
IR Range	Up to 7m IR range
Audio	
Input / Output	Two-way audio available (built-in microphone and speaker).
Video	
Video Compression	H.264/H.265
Lighting frequency	50Hz, 60Hz
Image	FHD:1920*1080@15fps/10fps(IR mode) SD:640*360@15fps/10fps(IR mode)
Network	
Protocols	TCP/IP, UDP/IP
Wireless Network	2.4G Wi-Fi (IEEE802.11b/g/n), built-in antenna.
IP Address	DHCP
Interface	
Power Supply	1 Micro USB interface, DC 5V/1A
SD card	1 Micro SD card slot
Keys	1 Reset key
Storage	
Cloud storage	Supported*
SD card storage	Supported (up to 128 GB)
Intelligent functions	
Motion detection	Supported
Motion tracking	Supported
Intelligent push	Supported*
Pet detection	Supported*
Human detection	Supported*
Alarm	
Alarm linkage	Support video recording, sound alarm.
Alarm notification	Alarm push by mobile APP.
General	
Mount method	Ceiling or wall mounted
Dimensions (L × W × H)	72.3 × 72.3 × 115.5mm
Weight	180g
Working Environment	-10°C ~ 45°C /10% ~ 80% (no condensation)
Storage Environment	-20°C ~ 60°C /0% ~ 90% (no condensation)
Pan and Tilt	H (horizontal) 0° ~ 355°; V (vertical) -20° ~ 90°
LED indication	Monochrome white light

Dimensions



www.uniarch.cn

©2021 Zhejiang Uniview Technologies Co., Ltd. All rights reserved.

*It's a value-added service, additional charges could apply.

*Product specifications and availability are subject to change without notice.